



## Wall Mount Bridge Lavatory Faucet

ROHL Country Bath Collection

**A1418LM-2** (Metal Levers)

**A1418LP-2** (Porcelain Levers)

**A1418XM-2** (Cross Handles)

**A1418LC-2** (Swarovski® Crystal Levers)

**A1418XC-2** (Swarovski® Crystal Cross Handles)

### FEATURES

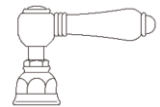
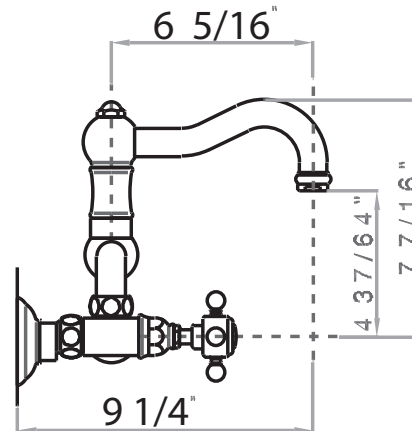
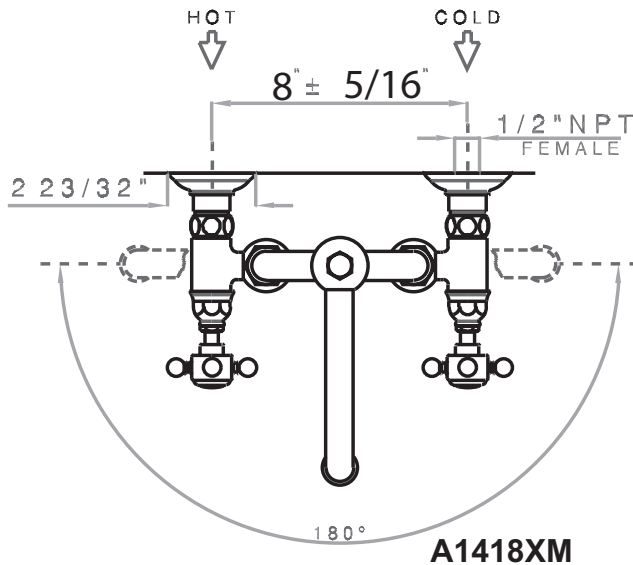
- Column spout style
- Remote pop-up included
- 1/4-turn ceramic valves
- 8" ± 5/16" center to center
- 6 5/16" spout reach
- 7 7/16" height
- 2 23/32" escutcheons
- Solid brass
- 1.2 GPM

### COLORS/FINISHES

- Polished Chrome
- Polished Nickel
- Satin Nickel
- Tuscan Brass
- Inca Brass

### WARRANTY

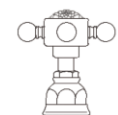
- Limited Lifetime\*
- \* No Warranty on Tuscan Brass Finish (TCB)



**A1418LM & A1418LP**

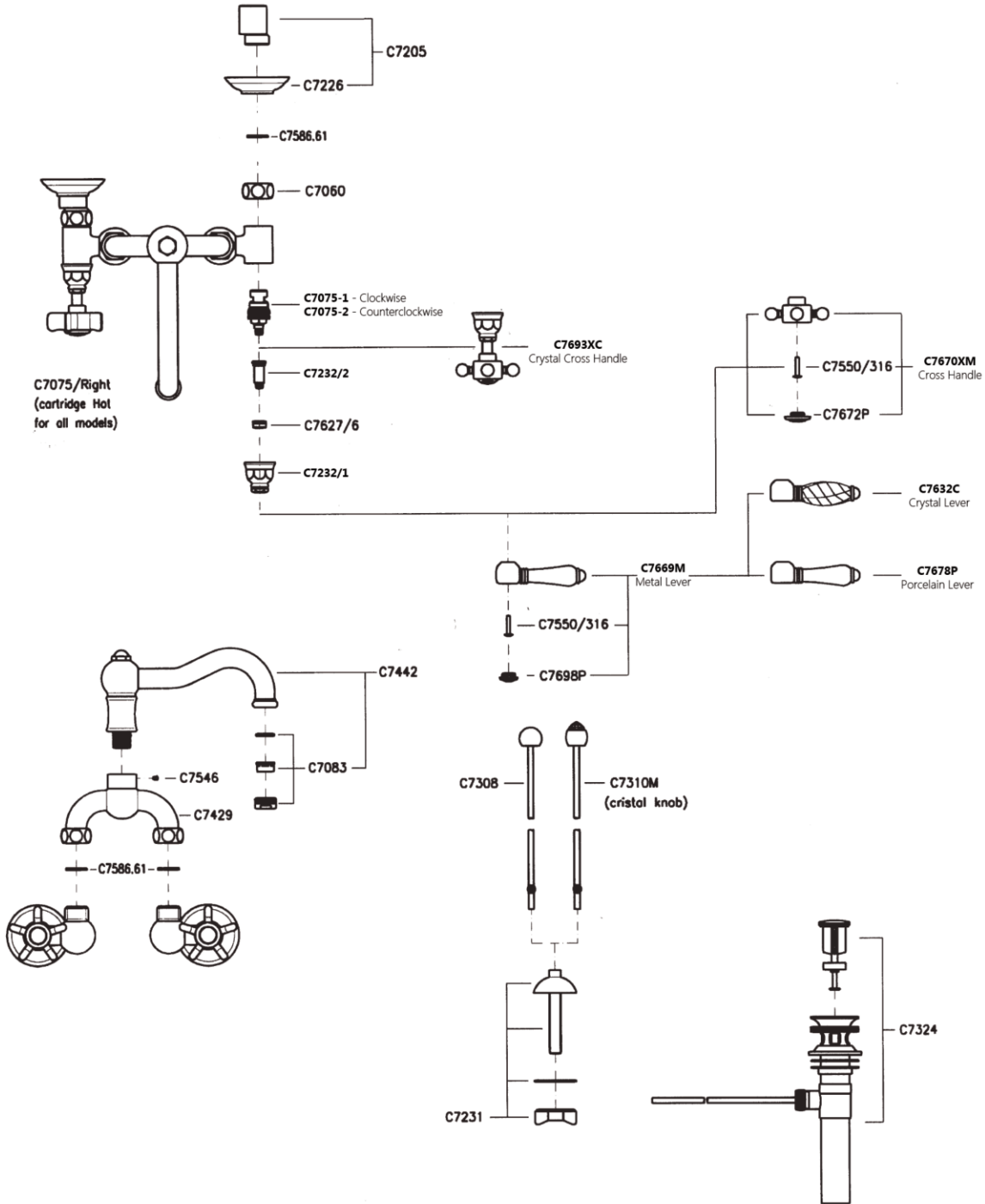


**A1418LC**



**A1418XC**

## A1418 Spare Parts



## Installation Instructions

### a - Preparation

Flush out the pipework to remove any foreign matter.  
The hot supply should be on the left when viewed from the front of the fitting.

### b - Assembly

- Introduce the bridge spout (C) in the lateral taps (D) and assemble it with the hexagonal nuts (E).
- Connect the eccentric shank (A) to side valve inlet.
- Assemble the round cap for eccentric (B), place caulking between wall and cap.
- Fix the body of sink mixer (C+D), placing the washer between the nut and the eccentric shank.
- Screw tight the hexagonal nuts of the spout (E) on the lateral taps (D).
- Ensure all connections are firmly tightened.
- Introduce the pop-up flange (F) in the central hole of the wash basin and fix it using its washer and its nut.
- Introduce the rod (G) in the pop-up flange.
- Assemble the automatic pop-up waste (H). Introduce and fix it in the hole of the wash basin. Join the vertical rod (G) to the horizontal rod (I) using the double connector.
- Ensure all connections are firmly tightened.

### c - Before use

Turn on the Hot and Cold supplies to the faucet.  
Maximum temperature for Hot water supply to the faucet is 145° F.  
Minimum recommended pressure is 15 psi - Maximum recommended pressure is 75 psi.  
Check the installation carefully for leaks.  
If further building work is to be carried out in the vici of the faucet, it should be covered to prevent paint, adhesive, etc. from damaging the surface.

Installation Instructions

# ATTENTION

## READ THESE INSTRUCTIONS BEFORE INSTALLATION AND USE OF ALL FAUCETS AND WALL VALVES

### INSTALLATION and WARRANTY INSTRUCTIONS TECHNICAL INFORMATION

All flexible hoses are designed and manufactured for use with water in exposed locations only. **Do not expose** to household cleaners, chlorine, chloride, hydrochloric acid or other corrosive chemicals.

- All connections with threads M10x1 male must be hand tighten. **Do not over tighten. Over tightening may cause damage to the hose.**

All faucets washers and o-rings are designed and manufactured for use with water. **Do not expose** to household cleaners, chlorine, chloride, hydrochloric acid or other corrosive chemicals.

Faucets are designed for use with the temperatures and pressures listed below:

- minimum cold water supply 50 °F
- maximum hot water supply 145 °F
- minimum pressure 15 psi
- maximum pressure 75 psi
- maximum fixing torque value = 10 lbf.ft.

**Please note:** The recommended best pressure for best performance is between 40 psi and 60 psi. More pressure than 60 psi or less pressure than 40 psi may affect the diverting action in side spray faucets.

- Do not use any Rohl Country/ Nicolazzi faucet with sulphurous water.
- The minimum temperature for all faucets is 50 degrees F. Below 50 degrees F will void the warranty.
- When available, filter systems must be placed between hot and cold supply lines and the faucet. Improper use or non-use of filters may make diverting faucets with hand sprays perform poorly.
- Don't modify faucet and their components
- Use only original spare parts if there are replacements to be ordered.
- Installation must be made by authorized plumbers or installers. Improper installation or diagnosis of problems is not covered by the warranty.
- Yearly maintenance of cleaning and flushing is recommended.

**Operation and use of any faucet or wall valve that do not conform to these technical instructions will void the warranty.**